

# RAMSES 708

Item no.: 7080001

**theben**

Climate control  
Room thermostats

## Description

- Room temperature controller with thermal feedback
- Also suitable for air conditioning equipment
- Heating/cooling changeover contact
- Suitable for all types of heating, e.g. gas, water, electric heating with central/individual room control
- Setting controller with mechanical setting limit or detection



## Technical data

RAMSES 708	
Operating voltage	230 – 240 V AC
Frequency	50 – 60 Hz
Type of contact	Changeover contact
Switching capacity	Heating: 10 A (at 230 V AC, cos $\varphi$ = 1), Heating: 4 A (at 230 V AC, cos $\varphi$ = 0.6), Cooling: 5 A (at 230 V AC, cos $\varphi$ = 1), Cooling: 2 A (at 230 V AC, cos $\varphi$ = 0.6)
Setting range temperature	5°C ... 30°C
Function	Mechanical

RAMSES 708	
Hysteresis	√
Control accuracy	approx. 1 K, thermal recirculation
Test approval	VDE
Colour	White
Installation type	Surface-mounted
Type of protection	IP 30
Protection class	II according to EN 60 730-1

Subject to technical changes and misprints

additional information at: [www.theben.de/product/7080001](http://www.theben.de/product/7080001)

The load data are determined with exemplary selected illuminants and are therefore typical data due to the large number of available products.

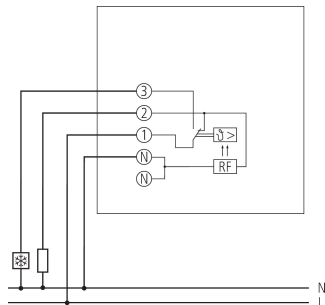
05/08/2022  
Page 1 of 3

# RAMSES 708

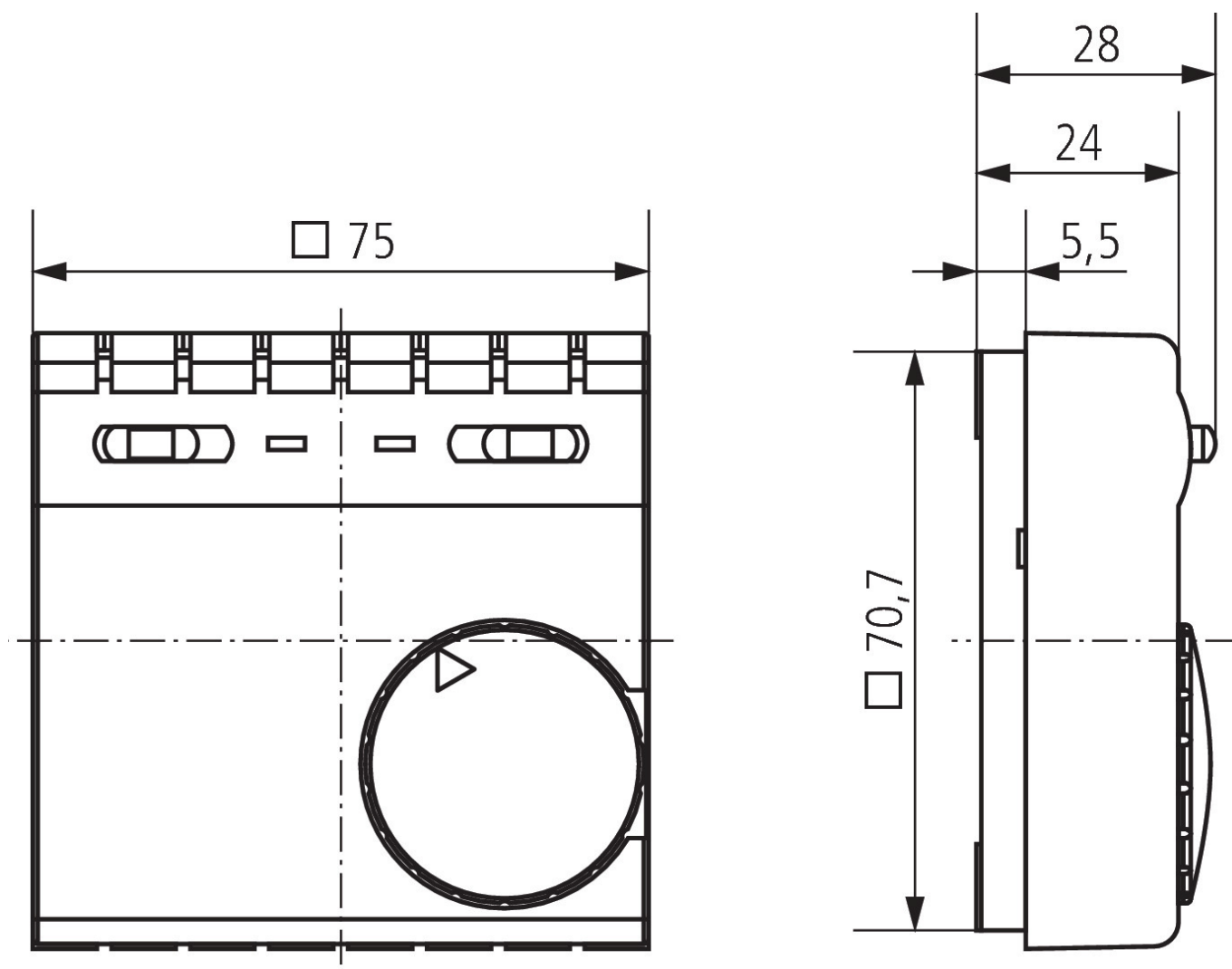
Item no.: 7080001



## Connection example



## Scale drawings



Subject to technical changes and misprints

additional information at: [www.theben.de/product/7080001](http://www.theben.de/product/7080001)

The load data are determined with exemplary selected illuminants and are therefore typical data due to the large number of available products.

05/08/2022

Page 2 of 3

# RAMSES 708

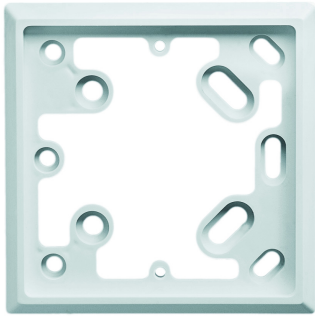
Item no.: 7080001



## Accessories

---

**Adapter plate RAMSES 70x**  
Item no.: 9070480



**Actuator ALPHA 5 230 V**  
Item no.: 9070441



Subject to technical changes and misprints

additional information at: [www.theben.de/product/7080001](http://www.theben.de/product/7080001)

The load data are determined with exemplary selected illuminants and are therefore typical data due to the large number of available products.

05/08/2022

Page 3 of 3